



64

Cosmetic mirrors

Shaving with a smile

A cosmetic mirror is a must-have item for any hotel bathroom. It adds a touch of luxury and convenience to your guests' experience. By offering a make-up mirror in your bathrooms, you can show your guests that you value their comfort and satisfaction. You can also spare them the trouble of bringing their own.

The SMILE mirror from B-TRAY is a perfect choice for your bathrooms. It is a durable and elegant product that is made of high-quality stainless steel with a matt-black or brushed finish. The SMILE has a clear and magnified glass (5x) that allows your guests to apply makeup, shave, or groom with ease. A great way to impress your guests with your attention to detail and comfort, as well as to create a luxurious and sophisticated atmosphere in your hotel bathrooms.

SMILE cosmetic mirror

FREE STANDING STAINLESS STEEL MIRROR

- Single side mirror with 5 magnifications
- Must-have item for any hotel bathroom
- Made of high-quality 304 stainless steel
- Fingerprint proof
- Sleek and modern design
- Angle can be changed manually with a large built-in handle
- Weighted base for extra stability
- Including double sided 3M sticker to attach the mirror to a surface and small cleaning cloth
- A 2-year warranty

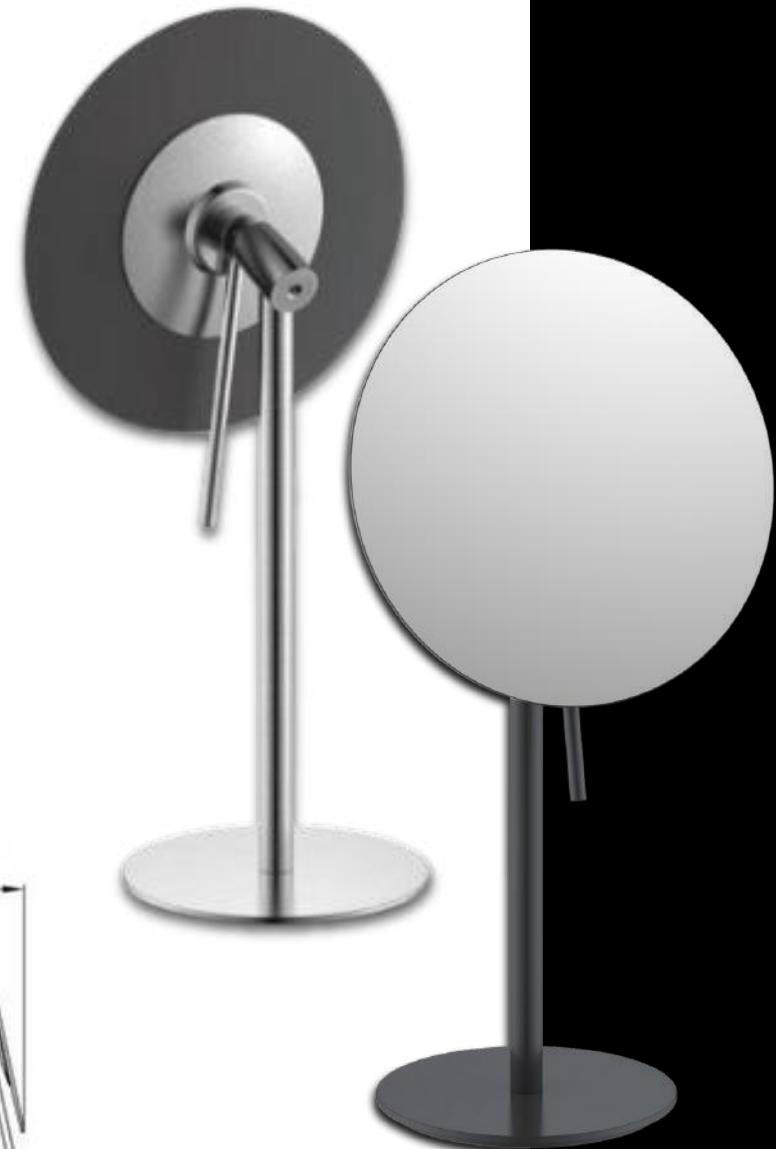
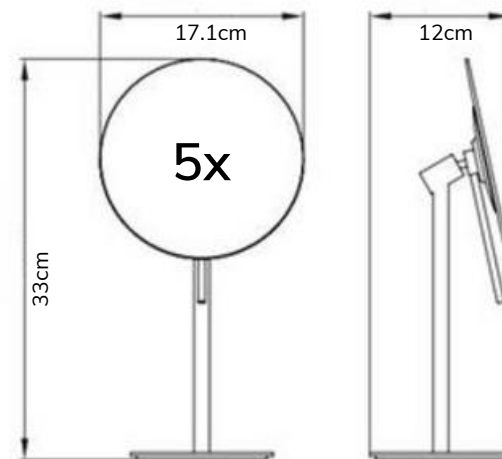
COLOURS

Matt black or brushed



DIMENSIONS (W x D x H)

171 x 120 x 330mm



Request a quotation

